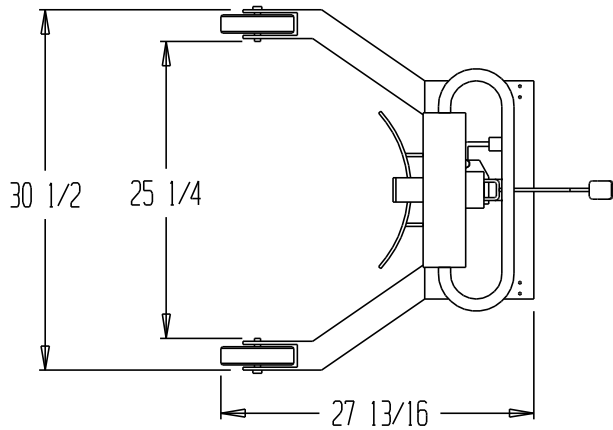


PORTABLE DRUM JACK - DRUM-55-36



STANDARD FEATURES

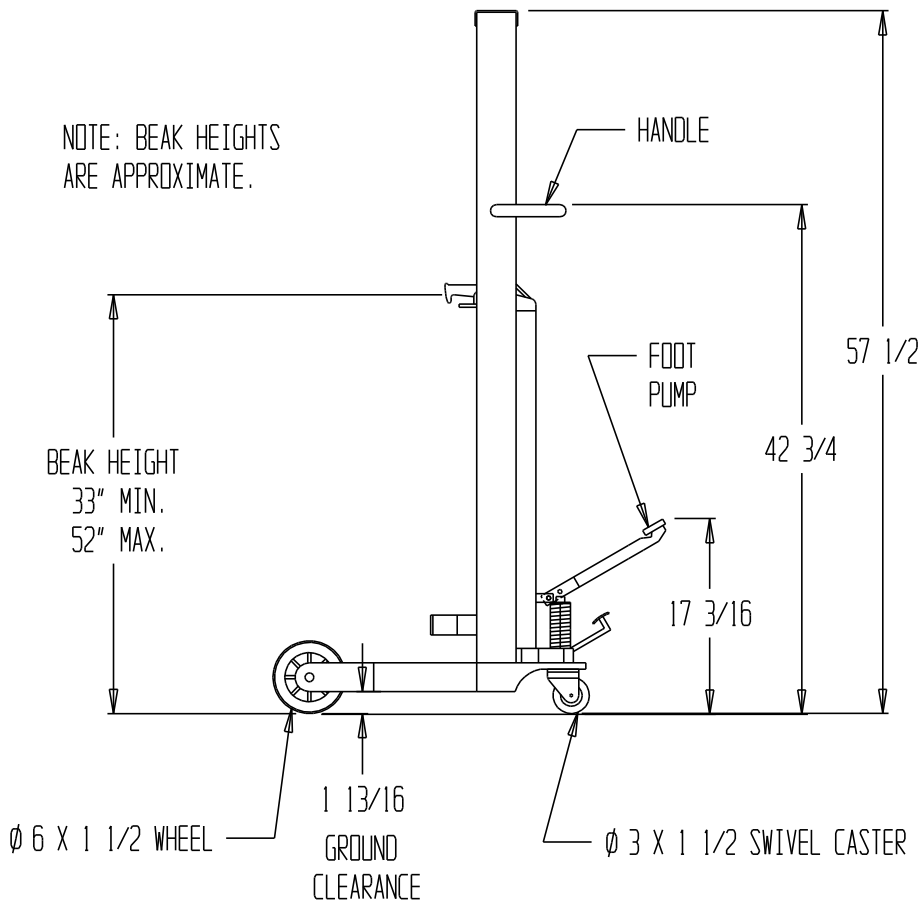
- MODEL NUMBER: DRUM-55-36
- CAPACITY: 500 LBS.
- LIFT HEIGHT: 15" MAX.
- BEAK HEIGHT: 33" MIN., 52" MAX
- STRADDLE I.D.: 25 1/4"
- OVERALL WIDTH: 30 1/2"
- OVERALL LENGTH: 27 13/16"
- OVERALL HEIGHT: 57 1/2"
- CASTERS: 6 X 1 1/2 POLY-ON STEEL WHEELS
3 X 1 1/2 POLY-ON-STEEL SWIVEL CASTERS

NOTE: BEAK HEIGHTS ARE APPROXIMATE.

SPECIAL FEATURES

NONE

NOTE: dim tolerance +/- 1/2"



All graphics provided are for reference only.
If certain dimensions are critical please verify those dimensions with your salesperson

FOR INTERNAL USE ONLY	A P P R O V E D L
PROJECT SIGN OFF	
SALES	
ENG	
FAB.	
POWER	

I, THE UNDERSIGNED, AGREE THAT THE PRODUCT AS REPRESENTED SATISFIES DESIGN & DIMENSION REQUIREMENTS. I ALSO ACKNOWLEDGE MY DUTY TO CONFIRM PRODUCT & INSTALLATION COMPLIANCE WITH ALL APPLICABLE FEDERAL, STATE AND LOCAL REGULATIONS & STANDARDS.

ANY MODIFIED UNITS ARE NON-RETURNABLE
() As drawn () As marked

Signed: _____ Date: _____
Printed Name: _____

LEAD TIME WILL START UPON RECEIPT OF SIGNED APPROVAL DRAWING

PRODUCTION WILL START UPON RECEIPT OF SIGNED APPROVAL DRAWING

DISTRIBUTOR'S NAME:		P.O.#: -
VESTIL MANUFACTURING		W.O.#: -
DRAWN BY: -	DATE: -	SALES: -
REFERENCE: -	SCALE: 1:16	DRWG./FILE NAME:
QUOTED LEADTIME: -	QUOTE #: -	DRUM-55-36

**SPECIAL UNITS ARE NON-RETURNABLE
*AVAILABLE AT ADDITIONAL COSTS